

Inductive sensor

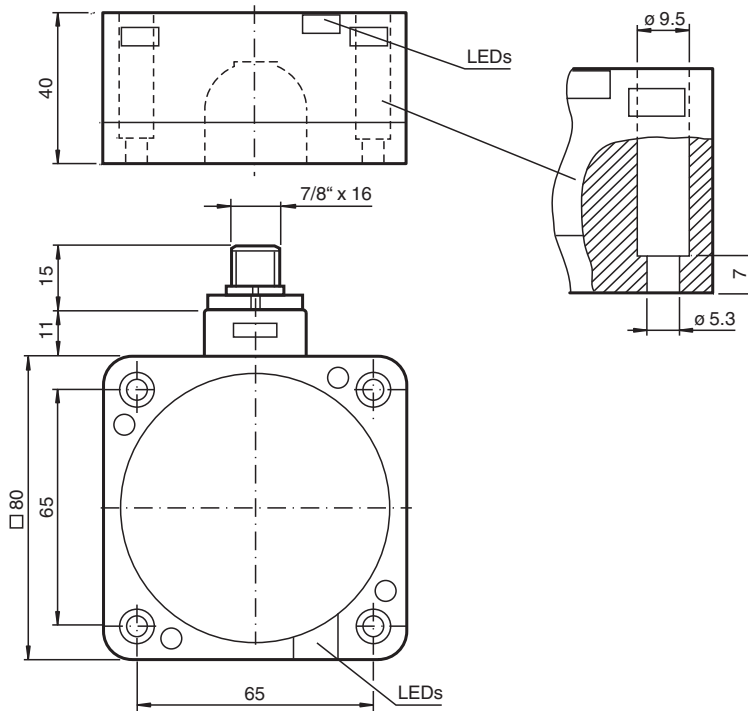
NCN50-FP-A2-P4-BHMSP5



■ 50 mm non-flush



Dimensions



Technical Data

General specifications

Switching function		Normally open/closed (NO/NC)
Output type		PNP
Rated operating distance	s_n	50 mm
Installation		non-flush
Output polarity		DC
Assured operating distance	s_a	0 ... 40.5 mm
Reduction factor r_{Al}		0.4
Reduction factor r_{Cu}		0.3
Reduction factor r_{304}		0.85

Release date: 2022-06-28 Date of issue: 2022-06-28 Filename: 908495_eng.pdf

Refer to "General Notes Relating to Pepperl+Fuchs Product Information".

Pepperl+Fuchs Group
www.pepperl-fuchs.com

USA: +1 330 486 0001
fa-info@us.pepperl-fuchs.com

Germany: +49 621 776 1111
fa-info@de.pepperl-fuchs.com

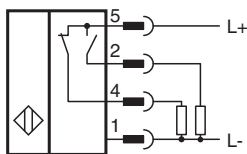
Singapore: +65 6779 9091
fa-info@sg.pepperl-fuchs.com

 PEPPERL+FUCHS

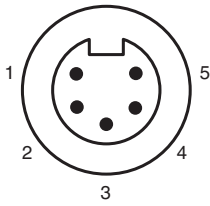
Technical Data

Output type		4-wire
Nominal ratings		
Operating voltage	U_B	10 ... 60 V
Switching frequency	f	0 ... 80 Hz
Hysteresis	H	typ. 3 %
Reverse polarity protection		reverse polarity protected
Short-circuit protection		pulsing
Voltage drop	U_d	≤ 3 V
Operating current	I_L	0 ... 200 mA
Off-state current	I_r	0 ... 0.5 mA
No-load supply current	I_0	≤ 20 mA
Time delay before availability	t_v	≤ 300 ms
Operating voltage indicator		LED, green
Switching state indicator		LED, yellow
Functional safety related parameters		
MTTF _d		680 a
Mission Time (T _M)		20 a
Diagnostic Coverage (DC)		0 %
Compliance with standards and directives		
Standard conformity		
Standards		EN 60947-5-2:2007 EN 60947-5-2/A1:2012 IEC 60947-5-2:2007 IEC 60947-5-2 AMD 1:2012
Approvals and certificates		
UL approval		cULus Listed, General Purpose
Ambient conditions		
Ambient temperature		-25 ... 70 °C (-13 ... 158 °F)
Mechanical specifications		
Connection type		stainless steel 7/8 inch-16 UN , 5-pin Connector
Housing material		PBT/base of metal
Sensing face		PBT
Housing base		metal
Degree of protection		IP67
Tightening torque, housing screws		1 Nm
Note		epoxy filled terminal housing

Connection Assignment



Connection Assignment



Accessories

	V95-G-YE4M-STOOW	Female cordset, 7/8", 5-pin, STOOW cable
	V95-G-YE2M-STOOW	Female cordset, 7/8", 5-pin, STOOW cable

Release date: 2022-06-28 Date of issue: 2022-06-28 Filename: 908495_eng.pdf

Refer to "General Notes Relating to Pepperl+Fuchs Product Information".